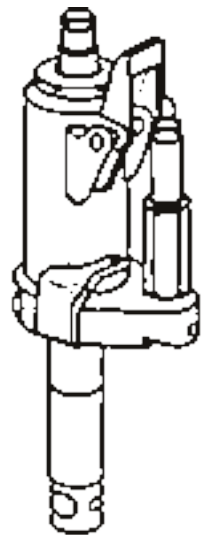


BT Rolatruc L2000 (Series 1-9)

PARTS LIST



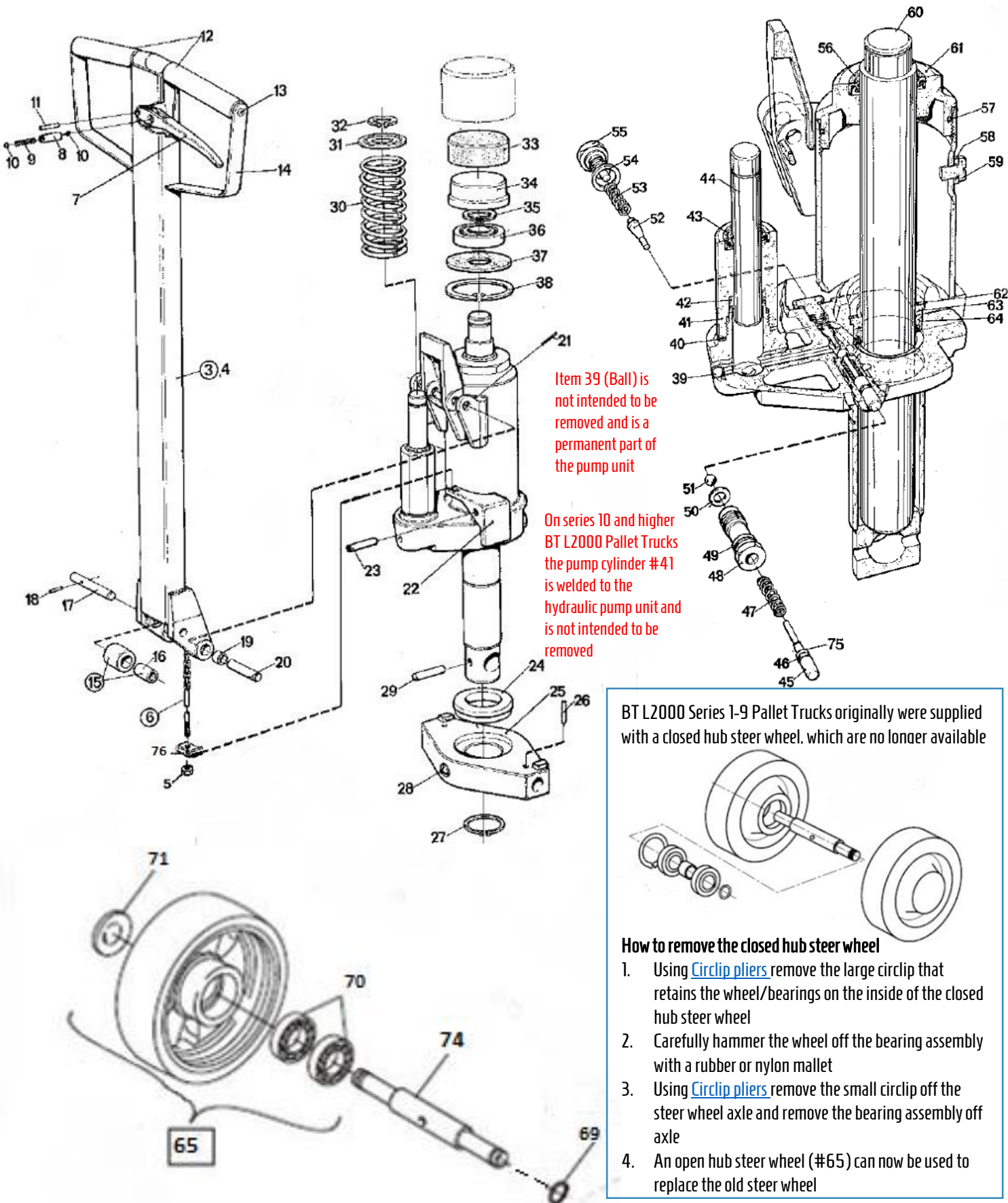
WHALL
PALLETTRUCKPARTS.co.uk

PalletTruckParts.co.uk
1 Cloughmore Road,
Hydepark Industrial estate,
Newtownabbey,
Co. Antrim
BT36 4WW

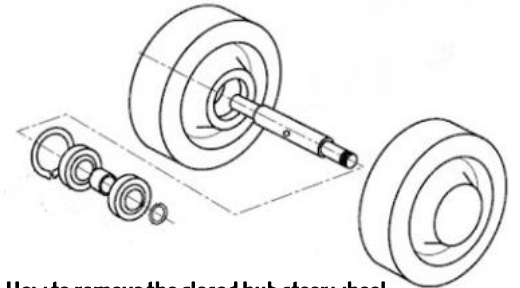
All manufacturers' names, part numbers and descriptions are used for reference purposes only.
We do not imply that any parts are the products of a particular manufacturer.
Copyright ©2019 by PalletTruckParts . All Rights Reserved

•T: +44(0)28 9084 1444 (option 4)
•E: info@PalletTruckParts.co.uk
•W: www.pallettruckparts.co.uk

BT Rolatruc - L2000 (Series 1-9) Handle and Pump Assembly



BT L2000 Series 1-9 Pallet Trucks originally were supplied with a closed hub steer wheel, which are no longer available



How to remove the closed hub steer wheel

1. Using [Circlip pliers](#) remove the large circlip that retains the wheel/bearings on the inside of the closed hub steer wheel
2. Carefully hammer the wheel off the bearing assembly with a rubber or nylon mallet
3. Using [Circlip pliers](#) remove the small circlip off the steer wheel axle and remove the bearing assembly off axle
4. An open hub steer wheel (#65) can now be used to replace the old steer wheel

BT Rolatruc - L2000 (Series 1-9)

Handle and Pump Assembly

Item	Part	Qty.	Part No.
3	Tow bar compl. (Pos.Nos. 4-14')	1	17470
4	Tow bar (excl. pos.Nos, 5-14)	1	64152
5	Valve Bar Adjuster Nut	1	21094
6	Valve bar (Complete)	1	17469
7	Handle Trigger Lever	2	47083
8	Sleeve	1	54140
9	Spring	1	47089
10	Ball	2	22757
11	Locking pin	1	20105
12	Plastic Handle Grip	2	47074
13	Screw	2	24470
14	Clamp	2	47082
15	Roller (Complete)	1	47929
16	Roller Bush	1	22108
17	Roller Axle	1	47930
18	Locking pin	1	20461
19	Handle Axle Bush	2	22107
20	Handle Axle	2	47931
21	Locking pin	2	20071
22	Lowering arm	1	47070
23*	Locking pin	1	20104
24	Thrust Bearing	1	22052
25	Thrust Plate	1	47092
26	Locking pin	2	20001
27	Locking ring	1	20011
28	Greasing nipple	1	20026
29	Steer Wheel Axle Locking pin	1	20868
30	Spring	1	65245
31	Spring Washer	1	47450
32	Locking ring	1	20043
33	Insert	1	47997
34	Bearing cup	1	47996
35	Locking ring	1	20041
36	Ball bearing	1	20018
37	Washer	1	47995
38	Locking ring	1	20076
39	Ball	1	20065
40+*	Copper Washer	1	47044
41+	Pump cylinder	1	47042
42+*#	U-ring	1	22033

+ = Series 1-9 Only

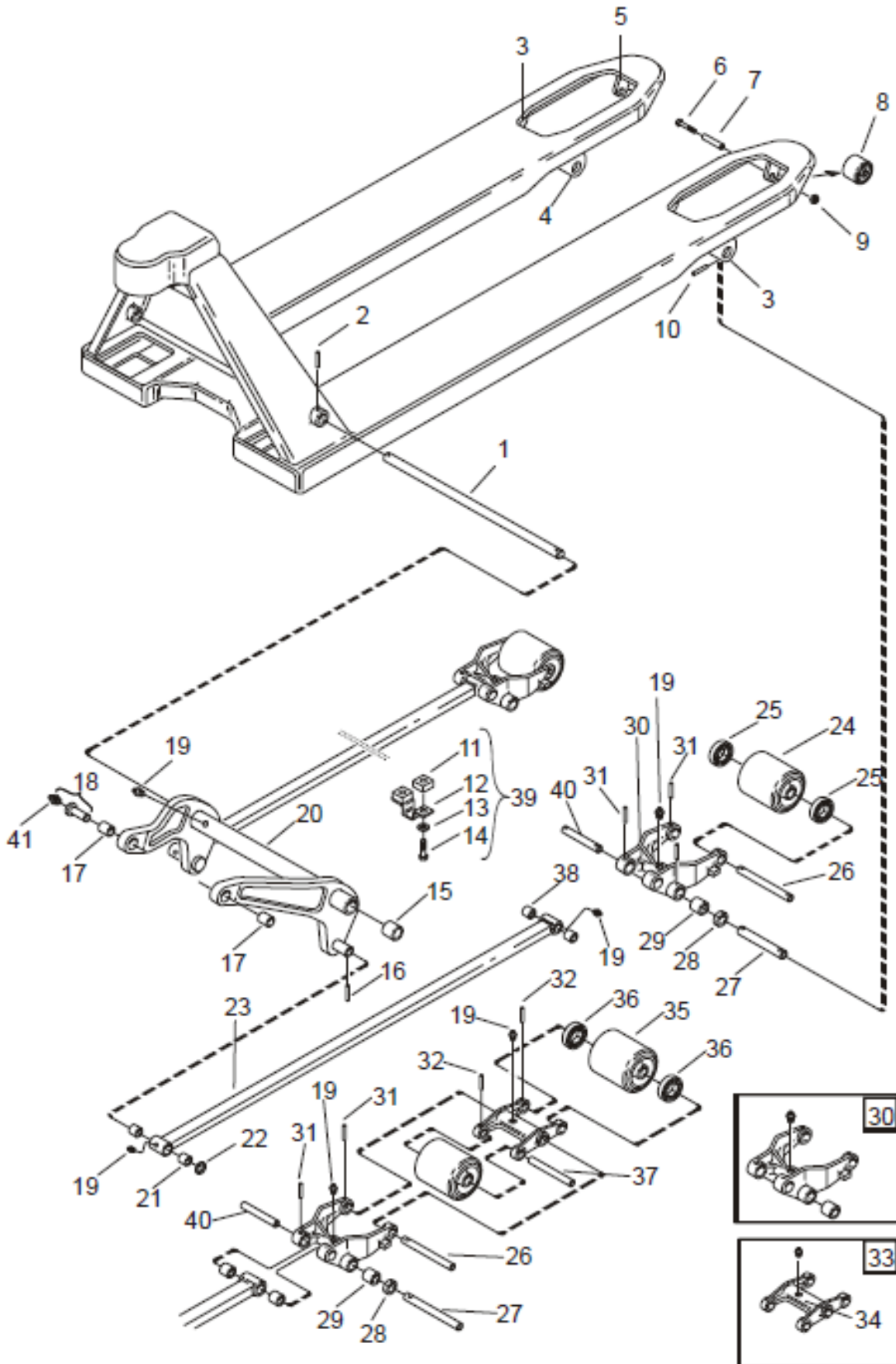
Series 10-11 -#41 does not unscrew from pump

Item	Part	Qty.	Part No.
43*#	Scraper Seal	1	21060
44	Piston	1	47043
45*	Release Valve Piston	1	47051
46*#	Scraper Seal	1	22318
47*	Spring	1	47071
48	Release Valve Body	1	47052
48A	Release Valve (Complete, inc. 45-51, 75)	1	243904
49*#	O-ring	1	22032
50*	Washer	1	47050
51*	Ball	1	20065
52*	Valve cone	1	47049
53*	Spring	1	39106
54*	Washer	1	37218
55	Screw	1	43713
56*#	Scraper Seal	1	20066
57*#	O-ring	1	21024
58*#	Washer	1	21742
59	Oil Filler Screw	1	20345
60	Piston	1	47985
61	Top nut	1	47037
62*	Locking ring	1	20101
63*	Support ring	1	47039
64*#	U-ring	1	22034
65A	Steer Wheel (White Nylon)	2	160421
65B	Steer Wheel (Black Nylon)	2	160421B
65C	Steer Wheel (PU/White Nylon)	2	160422
65D	Steer Wheel (Rubber/Black Nylon)	2	160432
69	Steer Wheel Axle Locking ring	2	20019
70	Steer Wheel Bearing	2	20332
71	Dust cap	2	47149
74	Steer Wheel Axle	1	47144
75*	Spring guide	1	49513
76	Release Valve Spring Clip	1	42631
77A	Seal Kit (Complete)	1	22311
77B	Seal Kit (Mini)	1	22307

* = Items Included in Seal Kit (Complete)

= Items Included in Seal Kit (Mini)

BT Rolatruc - L2000 (Series 1-9) Frame Assembly



BT Rolatruc - L2000 (Series 1-9) Frame Assembly

Item	Part	Qty.	Part No.
1A	Torsion Tube Axle (520mm)	1	47156
1B	Torsion Tube Axle (685mm)	1	47157
2	Locking Pin	1	22128
3	Ear	2	47136
4	Ear	2	47135
5	Bracket	2	47110
6	Screw	2	21385
7	Spacer	2	47151
8	Entry Roller Wheel	2	47150
9	Nut	2	20433
10	Locking Pin	4	20014
15	Busing	2	47167
16	Locking Pin	2	20001
17	Bush	2	30018
18	Arm Bolt (Complete)	2	30020
19	Grease Nipple	7	20026
20A	Torsion Tube (520mm)	1	64180
20B	Torsion Tube (685mm)	1	64183
21	Bush	4	30023
22	Washer	2	20013
23	Push Rod Complete (1000mm)	2	48262
23	Push rod complete (1150mm)	2	47115
24A	Single Load Roller – Nylon inc. Standard Bearings	2	WNLR82100 B17
24B	Single Load Roller – Nylon inc. BT Anti-Tangle Bearings	2	167602
24C	Single Load Roller – PU/Nylon inc. BT Anti-Tangle Bearings	2	167605
24D	Single Load Roller – Vulkollan/Steel inc. BT Anti-Tangle Bearings	2	225152
25	Bearing	4	167630
26	Wheel Fork Axle	2	47133
27	Wheel Fork Axle	2	47134
28	Wheel, Exit roller	4	65601
29	Bushing	4	30024
30	Wheel Fork Bracket	2	64590

Item	Part	Qty.	Part No.
31	Locking Pin	4	20001
32	Locking Pin	4	20001
33	Bogie Fork	2	47431
35A	Tandem Load Roller- Nylon inc. Standard Bearings	4	WNLR8275 B17
35B	Tandem Load Roller – Nylon inc. BT Anti-Tangle Bearings	4	167608
35C	Tandem Load Roller – PU/Nylon inc. BT Anti-Tangle Bearings	4	167610
35D	Tandem Load Roller – Vulkollan/Steel Inc. BT Anti-Tangle Bearings	4	200968
36	Bearing	8	22053
37	Bogie Fork Axle	4	47162
38	Bush	4	47117
39	Clamp (Complete)	1	35244
40	Axle	2	47120
41	Grease Nipple	2	27662

NEED SPARE PARTS FOR YOUR PALLET TRUCK?

PalletTruckParts.co.uk - UK & Ireland's largest stockist of top quality hand pallet truck spare parts for most pallet truck makes & models.

We have thousands of parts in stock, so if you can't find the parts that you need on our website – Contact Us:

028 9084 1444 (Option 4)

info@pallettruckparts.co.uk

Our friendly & experienced team can help you get the parts you need - fast!

Why Choose PalletTruckParts.co.uk



We are Five Star "Excellent" rated on Trustpilot



1000's of Parts in Stock
Same Day Shipping Available



Exceptional & Friendly
Customer Service



OEM Quality &
Competitive Pricing



Over 40 Years in the
Materials Handling Industry



International Shipping

Parts available for these brands and many more



WHALL
PALLETTRUCKPARTS.co.uk

PalletTruckParts.co.uk
1 Cloughmore Road,
Hydepark Industrial estate,
Newtownabbey,
Co. Antrim
BT36 4WW

All manufacturers' names, part numbers and descriptions are used for reference purposes only.
We do not imply that any parts are the products of a particular manufacturer.
Copyright ©2019 by PalletTruckParts. All Rights Reserved

•T: +44(0)28 9084 1444 (option 4)
•E: info@PalletTruckParts.co.uk
•W: www.pallettruckparts.co.uk